



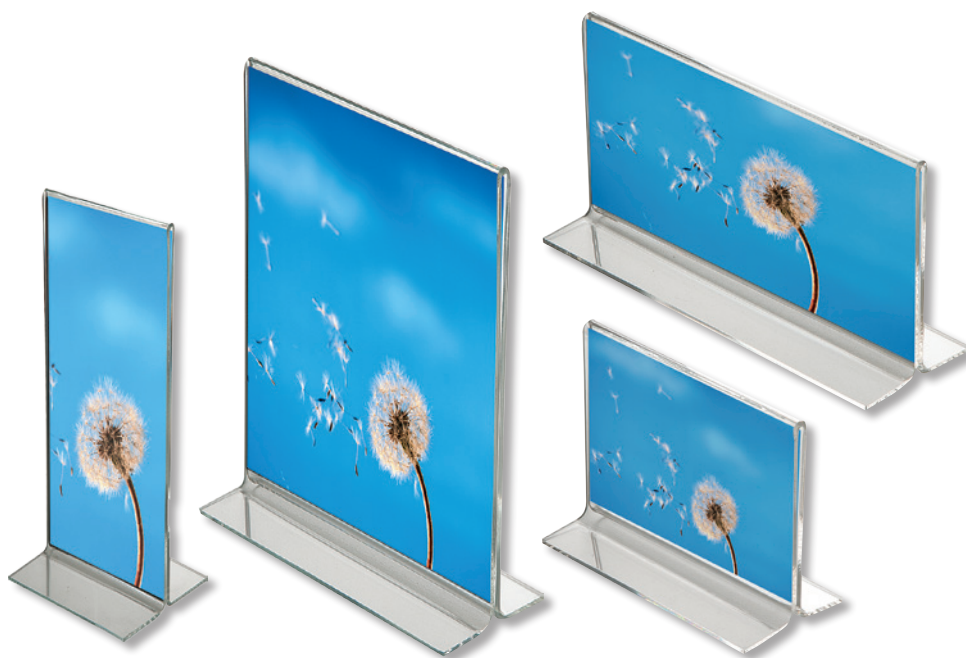
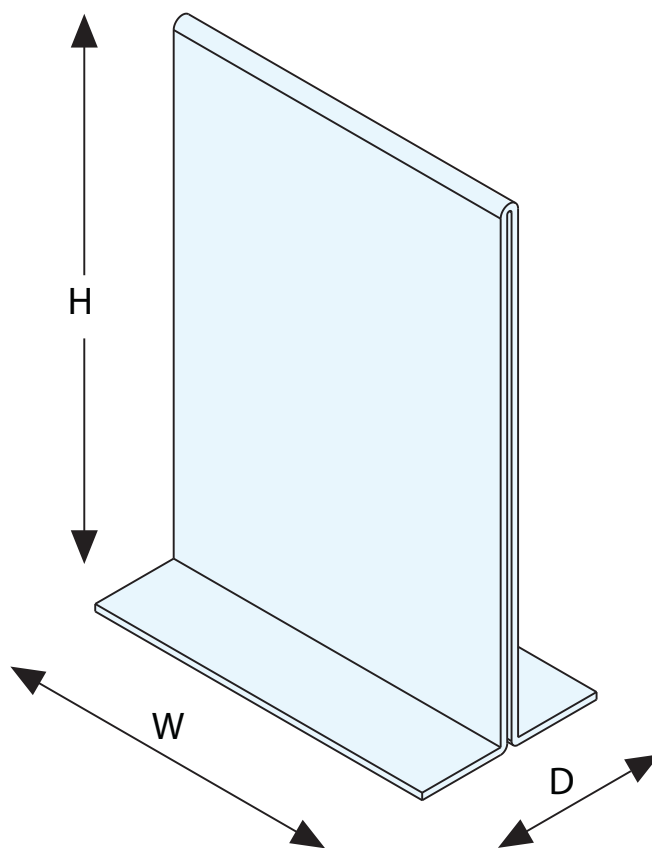
TECHNICAL GUIDE



🇬🇧 Menu holder made of transparent acrylic material. Free standing vertical.

🇩🇪 Menuhalter aus transparentem Acryl hergestellt. Senkrecht freistehend.

🇩🇰 Menuholder produceret i transparent akryl. Lodret fritstående.



| Model | Art. no. | Capacity | Total W x H x D | Colour | Package size and weight | Pallet size and quantity |
|-------|----------|---------------|----------------------|-------------|------------------------------------|-----------------------------|
| 1225 | 2760 | A6 Vertical | 11 x 15 x 7,5 cm | Transparent | 27 x 39 x 18 pcs. (30 pcs.) 0,2 kg | 80 x 120 x 220 cm 2400 pcs. |
| 1225 | 2761 | M65 - | 10,5 x 21,5 x 7,5 cm | - | 34 x 37 x 24 cm (40 pcs.) 0,1 kg | 80 x 120 x 220 cm 2700 pcs. |
| 1225 | 2762 | A5 - | 15 x 21,5 x 7,5 cm | - | 34 x 37 x 24 cm (30 pcs.) 0,2 kg | 80 x 120 x 220 cm 1200 pcs. |
| 1225 | 2763 | A4 - | 21,5 x 31 x 8,5 cm | - | 49 x 49 x 35 cm (40 pcs.) 0,4 kg | 80 x 120 x 220 cm 840 pcs. |
| 1226 | 2770 | A6 Horizontal | 15 x 11 x 7,5 cm | Transparent | 27 x 39 x 18 cm (30 pcs.) 0,2 kg | 80 x 120 x 220 cm 2400 pcs. |
| 1226 | 2771 | M65 - | 21,5 x 11 x 8 cm | - | 34 x 37 x 24 cm (40 pcs.) 0,2 kg | 80 x 120 x 220 cm 2700 pcs. |
| 1226 | 2772 | A5 - | 21 x 15 x 7,5 cm | - | 34 x 37 x 24 cm (30 pcs.) 0,2 kg | 80 x 120 x 220 cm 1200 pcs. |
| 1226 | 2773 | A4 - | 30 x 21,5 x 10,5 cm | - | 49 x 49 x 35 cm (30 pcs.) 0,2 kg | 80 x 120 x 220 cm 840 pcs. |